

DATUM (CRD)	
MLLW	-2.0'
OHW	-12.0'

VICINITY MAP



PROJECT SITE MAP

PURPOSE:

PROVIDE BERTH FOR SMALL VESSELS TO SUPPORT COMMERCIAL SHIPPING.

DATUM: COLUMBIA RIVER DATUM

ADJACENT PROPERTY OWNERS:
NONE

LAT: 46.007472N
LONG: -122.847939W

**PORT OF KALAMA
T-BARGE FACILITY**

**VICINITY MAP AND
SITE LOCATION**

PORT OF KALAMA
110 WEST MARINE DRIVE
KALAMA, WA 98625

PROPOSED:

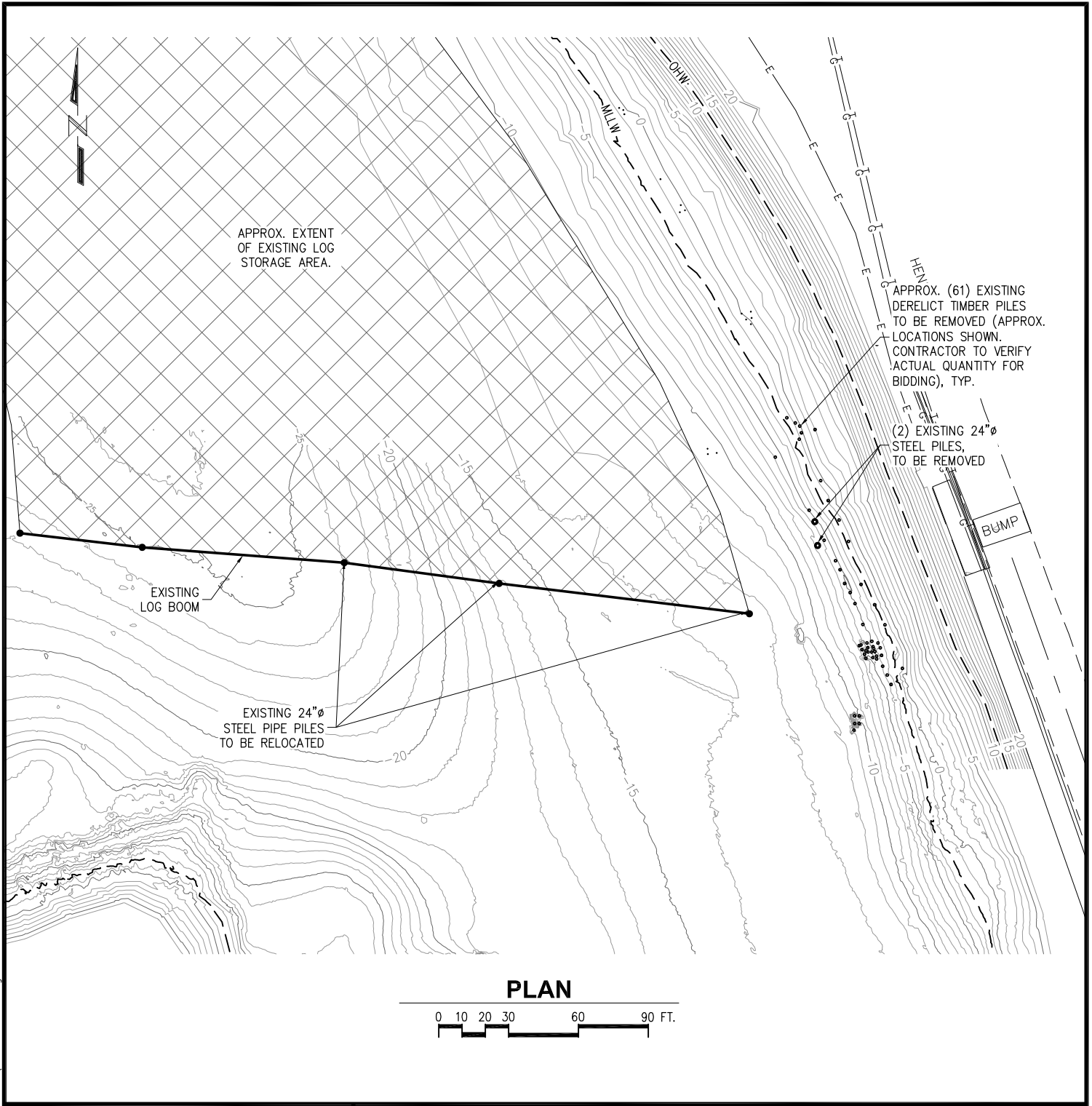
T-BARGE INSTALLATION

IN: COLUMBIA RIVER
AT: KALAMA, WA COWLITZ CO.
SEC. 7, T6N, R1W W.M.

PARCEL: 412640100

APPLICATION BY:
PORT OF KALAMA

SHEET 1 of 5 DATE: MAY 2018



PLAN



PURPOSE:

PROVIDE BERTH FOR SMALL VESSELS TO SUPPORT COMMERCIAL SHIPPING.

DATUM: COLUMBIA RIVER DATUM

ADJACENT PROPERTY OWNERS:
NONE

LAT: 46.007472N
LONG: -122.847939W

**PORT OF KALAMA
T-BARGE FACILITY**

EXISTING CONDITIONS

PORT OF KALAMA
110 WEST MARINE DRIVE
KALAMA, WA 98625

PROPOSED:

T-BARGE INSTALLATION

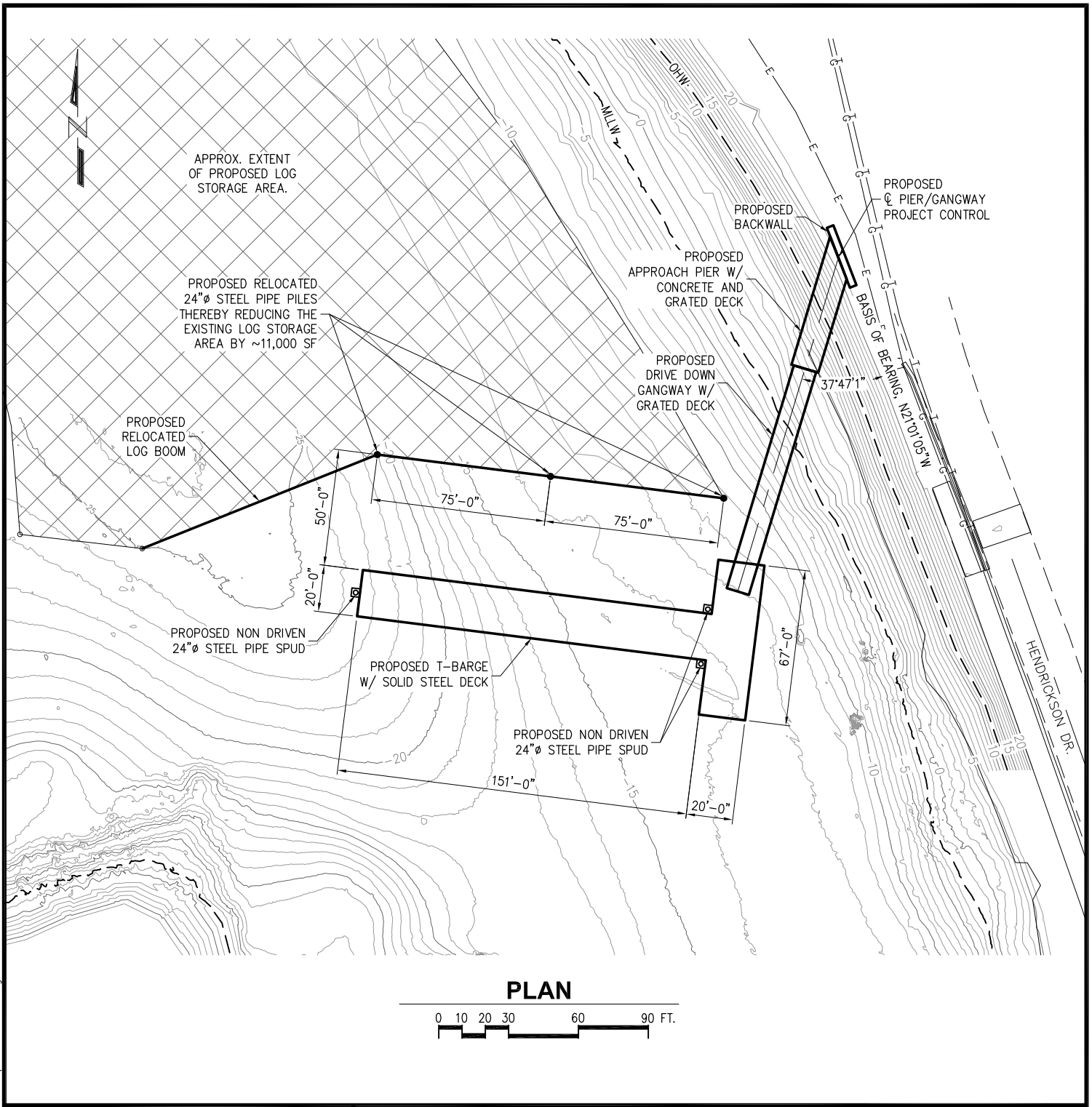
IN: COLUMBIA RIVER

AT: KALAMA, WA COWLITZ CO.
SEC. 7, T6N, R1W W.M.

PARCEL: 412640100

APPLICATION BY:
PORT OF KALAMA

SHEET 2 of 5 DATE: MAY 2018



PLAN



PURPOSE:

PROVIDE BERTH FOR SMALL VESSELS TO SUPPORT COMMERCIAL SHIPPING.

DATUM: COLUMBIA RIVER DATUM

ADJACENT PROPERTY OWNERS:
NONE

LAT: 46.007472N
LONG: -122.847939W

**PORT OF KALAMA
T-BARGE FACILITY**

**PROPOSED
SITE PLAN**

PORT OF KALAMA
110 WEST MARINE DRIVE
KALAMA, WA 98625

PROPOSED:

T-BARGE INSTALLATION

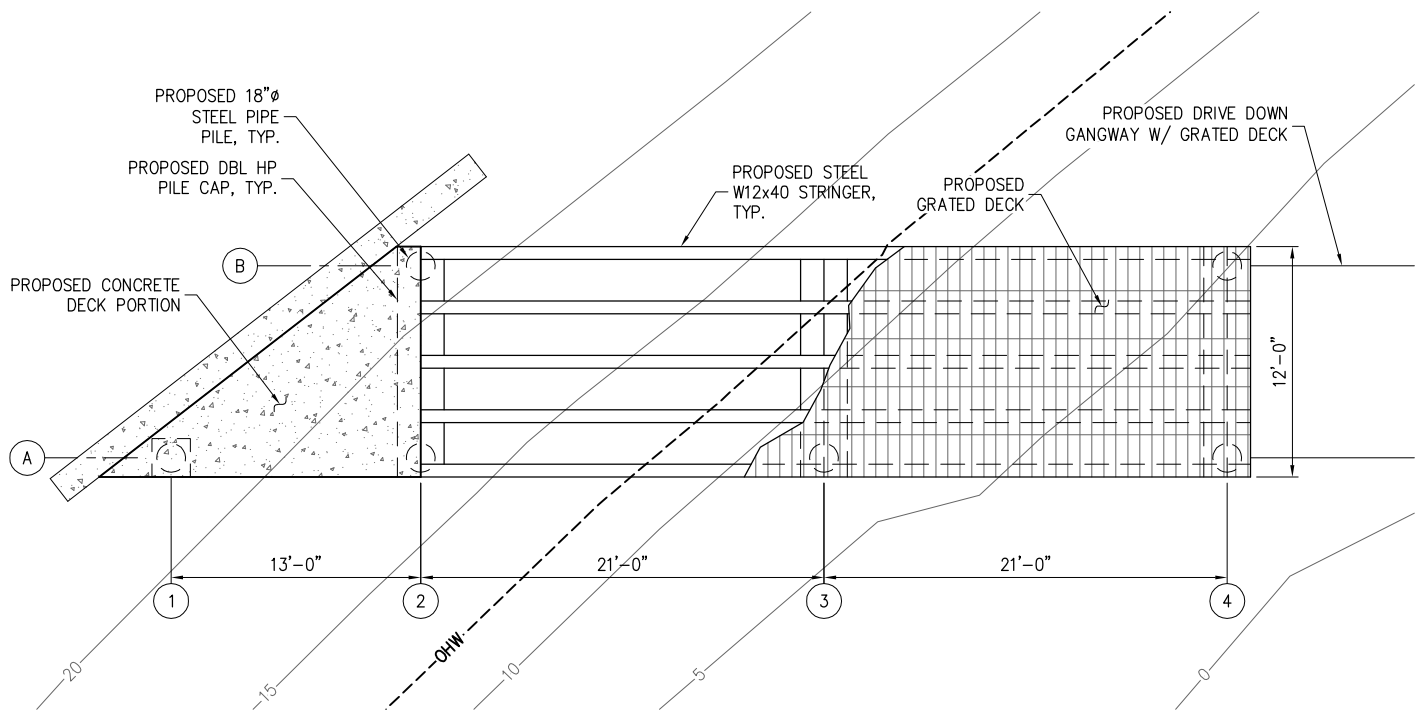
IN: COLUMBIA RIVER

AT: KALAMA, WA COWLITZ CO.
SEC. 7, T6N, R1W W.M.

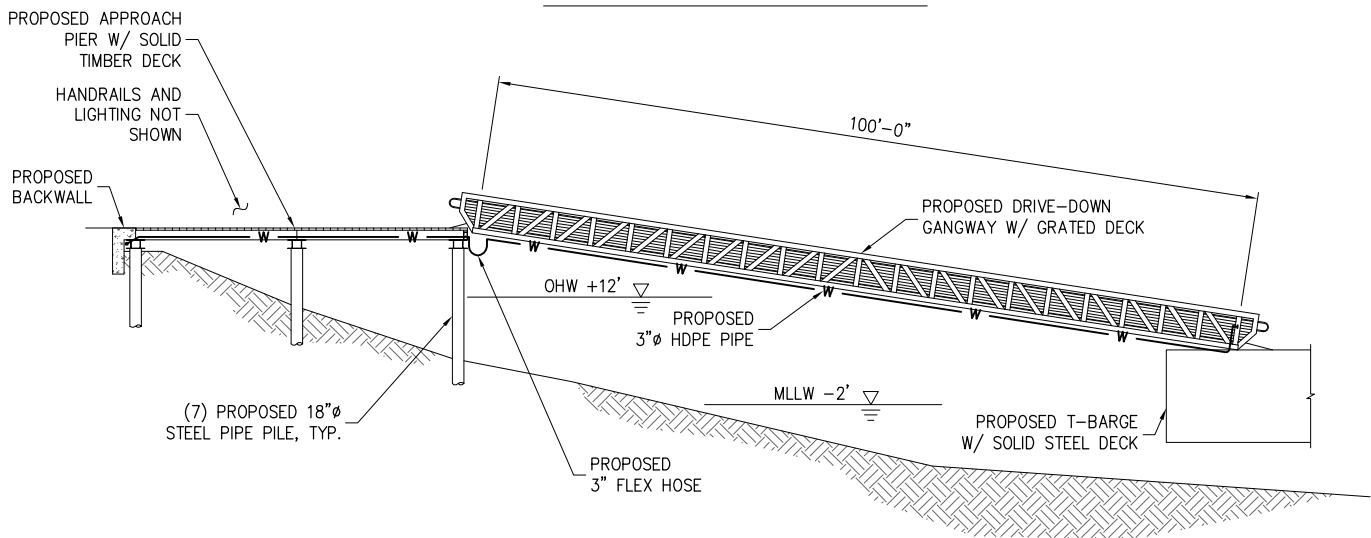
PARCEL: 412640100

APPLICATION BY:
PORT OF KALAMA

SHEET 3 of 5 DATE: MAY 2018



APPROACH PIER PLAN



GANGWAY SECTION

FUNCTIONAL GRATING:
 APPROACH PIER: 322 SF OF 594 SF TOTAL = 54%
 GANGWAY: 881 SF OF 1,133 SF TOTAL = 78%

PURPOSE:

PROVIDE BERTH FOR SMALL VESSELS TO SUPPORT COMMERCIAL SHIPPING.

DATUM: COLUMBIA RIVER DATUM

ADJACENT PROPERTY OWNERS:
 NONE

LAT: 46.007472N
LONG: -122.847939W

**PORT OF KALAMA
 T-BARGE FACILITY**

**APPROACH PIER PLAN
 AND GANGWAY SECTION**

PORT OF KALAMA
 110 WEST MARINE DRIVE
 KALAMA, WA 98625

PROPOSED:

T-BARGE INSTALLATION

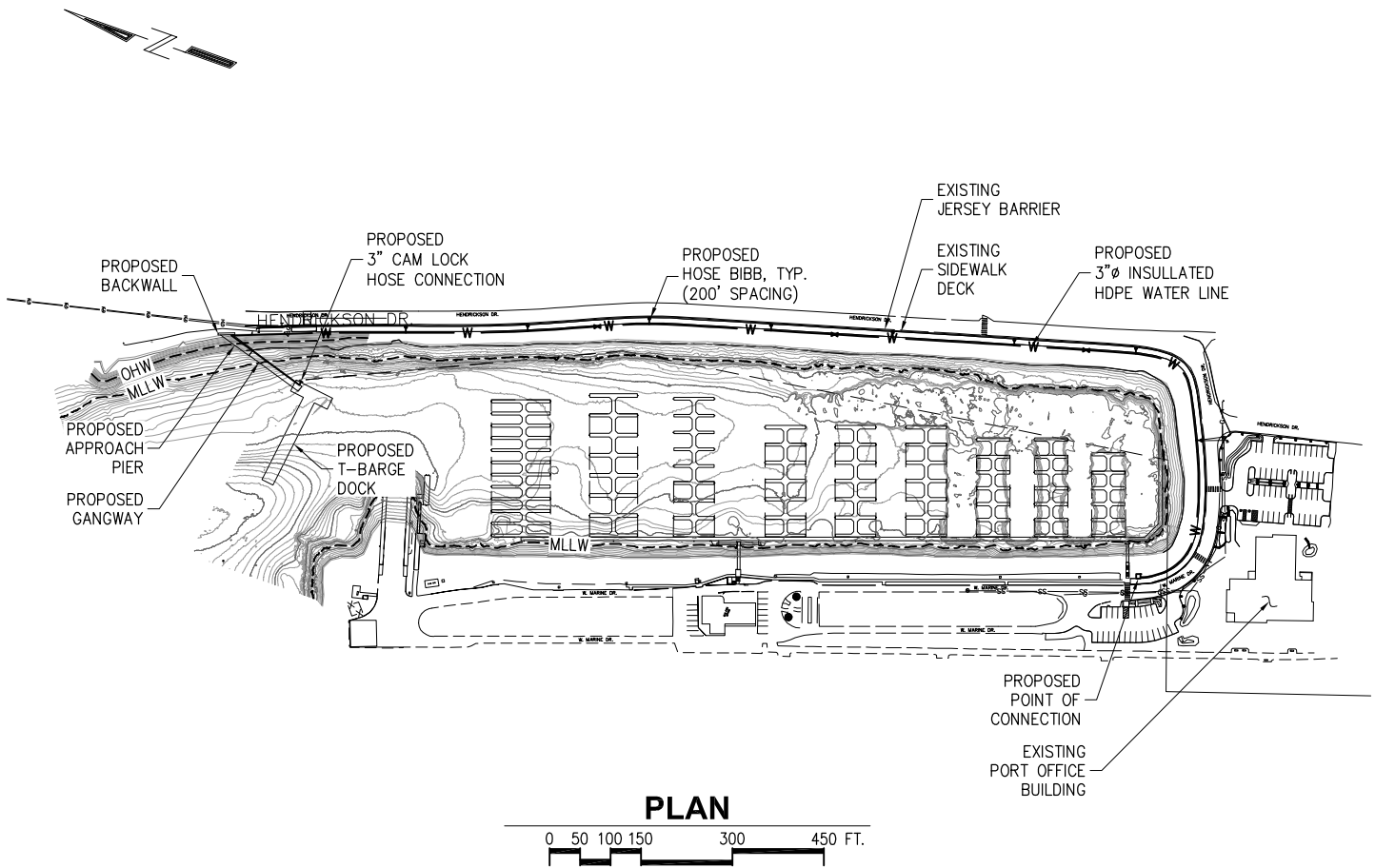
IN: COLUMBIA RIVER

AT: KALAMA, WA COWLITZ CO.
 SEC. 7, T6N, R1W W.M.

PARCEL: 412640100

APPLICATION BY:
 PORT OF KALAMA

SHEET 4 of 5 DATE: MAY 2018



PURPOSE:

PROVIDE BERTH FOR SMALL VESSELS TO SUPPORT COMMERCIAL SHIPPING.

DATUM: COLUMBIA RIVER DATUM

ADJACENT PROPERTY OWNERS:
NONE

LAT: 46.007472N
LONG: -122.847939W

**PORT OF KALAMA
T-BARGE FACILITY**

**WATER SUPPLY
LINE PLAN**

PORT OF KALAMA
110 WEST MARINE DRIVE
KALAMA, WA 98625

PROPOSED:

T-BARGE INSTALLATION

IN: COLUMBIA RIVER

AT: KALAMA, WA COWLITZ CO.
SEC. 7, T6N, R1W W.M.

PARCEL: 412640100

APPLICATION BY:
PORT OF KALAMA

SHEET 5 of 5 DATE: MAY 2018